



# 55000 series

VDE approved toggle switches



EN 61058-1



- The switches described below are marked VDE as standard. **UG1410A**
- UL and CSA agency approvals are also available. To order a switch marked UL or CSA, please complete "Agency approvals" box.

## ELECTRICAL SPECIFICATIONS

- Class I (normal insulation)
- Small contact opening :  $\mu$  ( $< 3$  mm (.118))
- Current/voltage rating with resistive load : 3A 250VAC - 6A 125VAC
- Dielectric strength :  
2.000 Vrms 50 Hz min. between poles and between terminals and frame  
1.000 Vrms 50 Hz min. between terminals
- Special body for increased creepage distance and air gap : 3 mm (.118)

## MATERIALS

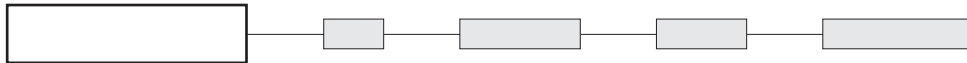
- Contacts : silver
- Case : diallylphthalate (DAP)
- Actuator : brass, chrome plated with insulating vinyl cap
- Bushing : brass, nickel plated
- Housing : stainless steel
- Terminal seal : epoxy

## GENERAL SPECIFICATIONS

- Insulating cap, compulsory, supplied glued on the lever :  
U270 for models 55600A, 55200A and 55200ZA  
U1040 for models 55200WA and 55200WA X433
- Ground connector :  
U721 compulsory if the panel is not metallic or not connected to ground
- Epoxy sealed terminals standard

Further specifications, see 5000 series.

## MODEL STRUCTURE



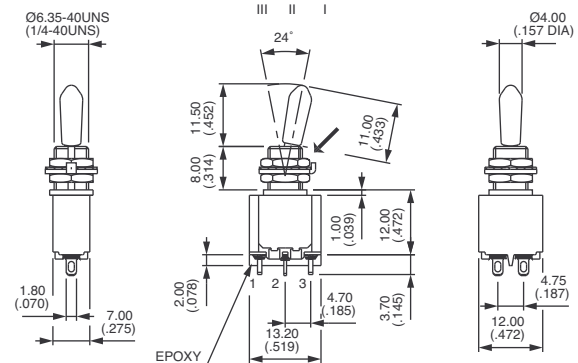
## Solder lugs

→ Keyway

III	II	I
2-3		1-2
5-6		4-5

Single pole Double pole

55636A	55646A	ON	-	ON
55639A	55649A	ON	OFF	ON



Also available with  $\varnothing$  6 mm (.236) bushing : **55500**.

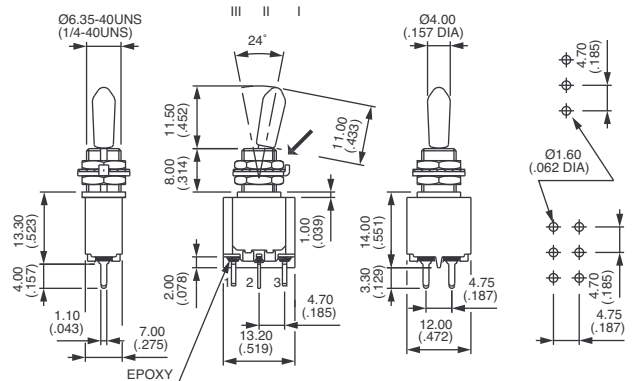
## Straight PC terminals

→ Keyway

III	II	I
2-3		1-2
5-6		4-5

Single pole Double pole

55236A	55246A	ON	-	ON
55239A	55249A	ON	OFF	ON



Also available with  $\varnothing$  6 mm (.236") bushing : **55100**.

The company reserves the right to change specifications without notice.

# 55000 series

VDE approved toggle switches

OPTIONS



## Right angle terminals - horizontal

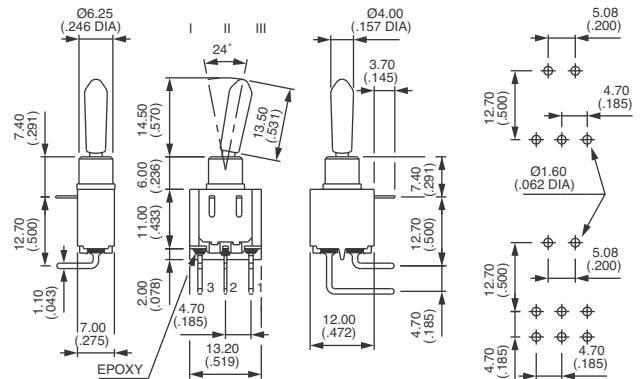
III	II	I
2-3		1-2
5-6		4-5

Single pole Double pole\*

55236WA	55246WA X433	ON	-	ON
55239WA	55249WA X433	ON	OFF	ON

"X433" to be placed in the third box of ordering format.

Also available for VERTICAL mounting (on request).



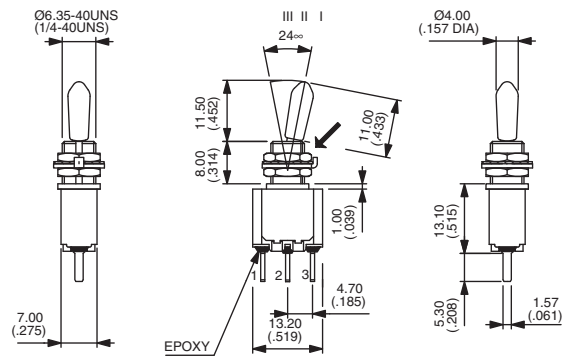
## Quick-connect terminals

→ Keyway

III	II	I
2-3		1-2

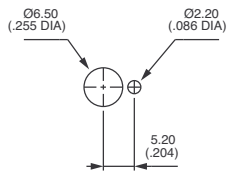
Single pole

55236Z	ON	-	ON
55239ZA	ON	OFF	ON

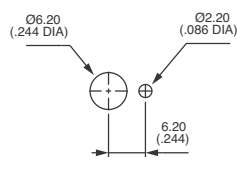


## PANEL CUT-OUT

### Bushing Ø 6,35 (1/4)



### Bushing Ø 6 (.236)

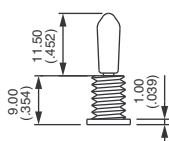


\* In double pole W models, spacing between poles on PCB is different from standard : 4,7 mm (.185) instead of 3,81 mm (.150)

## LEVERS

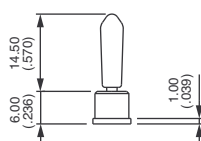


### Blank



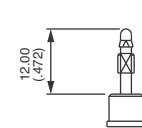
For threaded bushing models  
Cap U270 compulsory

### Blank



For plain bushing models  
Cap U1040 compulsory

### -4N



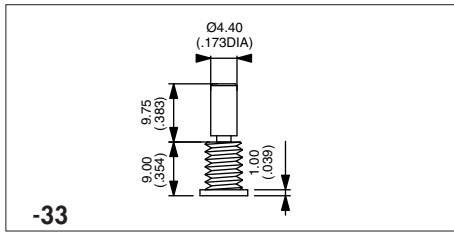
For use with paddles only



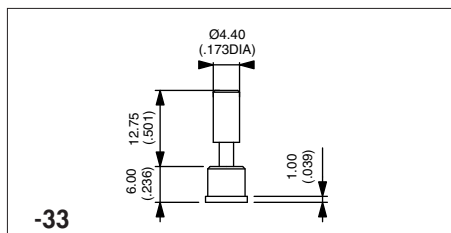
# 55000 series

VDE approved toggle switches

## LEVERS (continued)



-33 For threaded bushing models



-33 For plain bushing models

## AGENCY APPROVALS



VDE  
VDEUL  
VDEULCSA

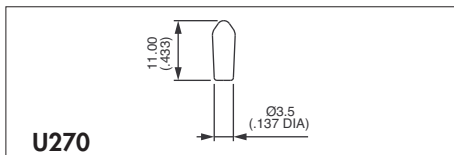
Complete above box with desired approvals.

## INSULATING CAPS AND PADDLES

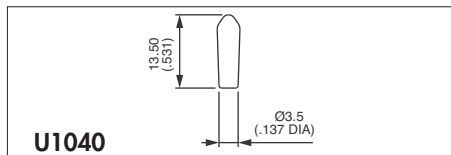


### Insulating caps

Compulsory - delivered assembled on the lever - not available in ivory colour



U270 For threaded bushing models

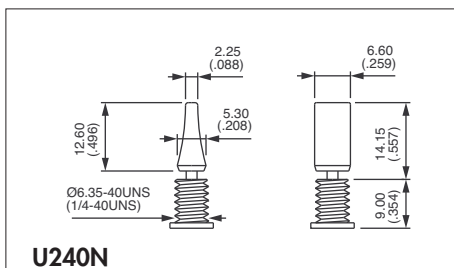


U1040 For plain bushing models

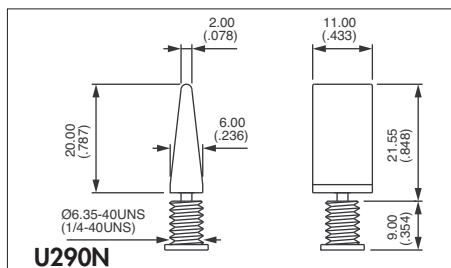
Cap/paddle colours	
Replace last "0" by number	
1	blue
1/4	dark blue
2	black
3	green
4	grey
5	yellow
7	ivory
7/1	white
9	orange

### Paddles

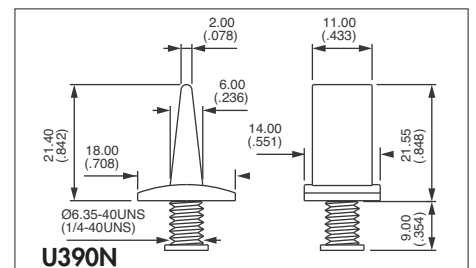
For use with lever 4N only. Shown with threaded bushing. Order separately.



U240N



U290N

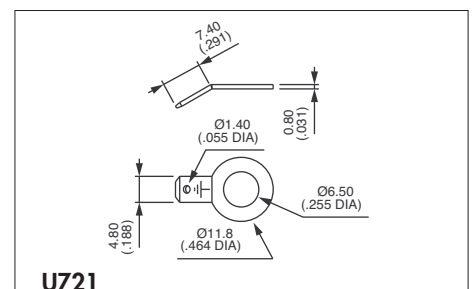


U390N



## GROUND CONNECTOR

**IMPORTANT** : compulsory on models with threaded bushing if the panel is not metallic or not connected to ground. Order separately.



U721